

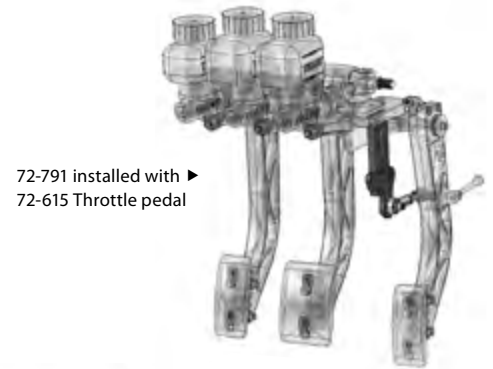
## Throttle Cable Linkage System

### INTRODUCTION

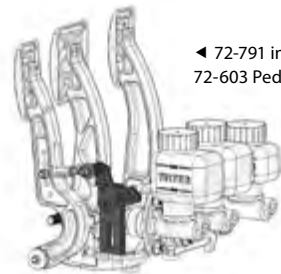
Tilton's 72-791 Throttle Cable Linkage System for use with the 600 series Floor and Hanging Pedal Assemblies is a bolt on kit that allows for throttle cable connection for front engine applications. The kit includes a bearing carrier block that bolts to the existing holes on the pedal assembly frame. A bell crank link is provided for throttle cable connection. The adjustable rod end pair connects this bell crank link to the throttle pedal.

### NOTES

- The Throttle Drive by Wire System comes pre-assembled from the factory.
- The Tilton throttle pedals have multiple bolt holes for connecting the rod end pair allowing for different ratios and therefore cable travel.
- The bell crank link also has multiple bolt hole locations for connecting the rod end to one end and cable to the other. Progressive cable travel is possible with specific initial positioning of bell crank link.
- Adjust length of rod end pair to avoid any binding of the linkage through throttle pedal travel. Make sure to keep adequate thread engagement between the male and female rod ends. Once adjusted, tighten the jam nut against the female rod end to prevent loosening.
- End user must assure clearance with this Throttle Cable Linkage System and any vehicle structure.

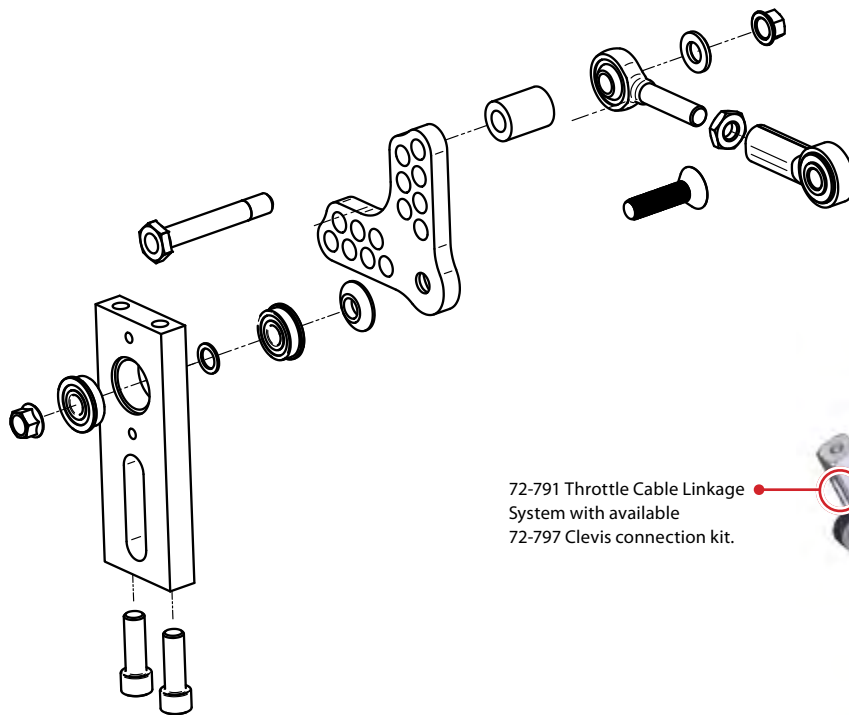


72-791 installed with ▶  
72-615 Throttle pedal



◀ 72-791 installed with  
72-603 Pedal Assembly

### Exploded View



72-791 Throttle Cable Linkage System with available 72-797 Clevis connection kit.



Top 1/4\"-20 threaded holes in bearing carrier block can be used to secure cable sheath with customer fabricated bracket if desired.